

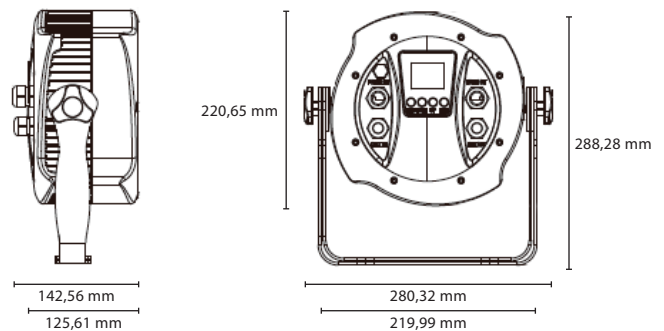


12x 15W RGBW 25° IP LED Par

The **B Par180RGBW** is a very powerful IP-rated par with 12x 15 W LED engine in a 25° angle. It features high saturated colours, excellent colourmix and beautiful dimming. This makes it one of the most powerful fanless RGBW LED pars on the AV-market ■

Physical

Dimensions (WxHxD)	280 x 288 x 143 mm
Packiging dimensions (WxHxD)	280 x 305 x 280 mm
Outer carton dimensions (4 pcs)	575 x 320 x 575 mm
Nett weight	4,7 kg
Gross weight	5,7 kg
Gross weight (4 pcs)	24,5 kg



Mounting options

Hanging	1 omega bracket with 2x 1/4 turn quick lock fastner 1x M12 hole in the middle of the omega bracket
Standing	Double bracket; adjustable opening angle
2nd suspension / safety wire	1 moulded eye on the housing to pass a safety wire or carabinier

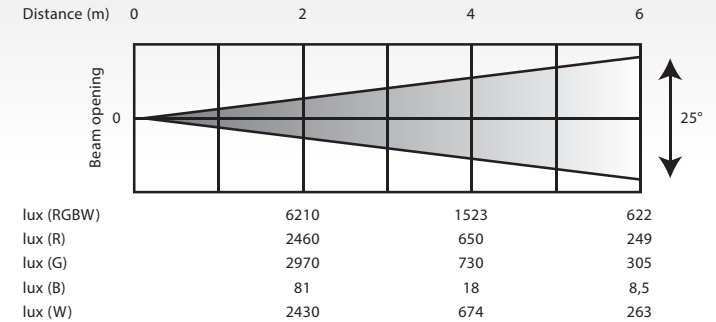
Control

Menu control via TFT display with 4 buttons	In/Link	XLR 5 pin	
Control	DMX512, manual, master/slave	DMX mode	4/6/8 channels
Dimmer mode	0 - 100% - 8bit		

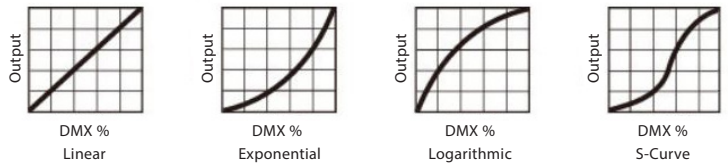
Optical

LED sources	12x 15W
Beam angle	25°
Light output RGBW	6210 lux @ 2m 1523 lux @ 4m 622 lux @ 6m
Strobe	0 - 20Hz
Dimming curves	4
Colours	Red, Green, Blue + White 8 bit colour mix

Photometrics Diagram



Dimmer curve

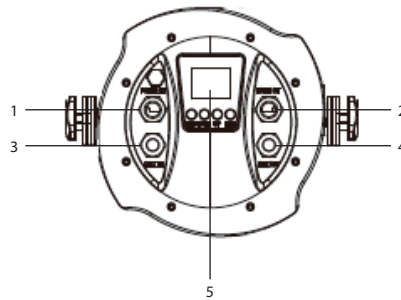


Electrical

Fixture rated power	165W	Input power	100 - 240V ~ 50/60Hz - Auto switching power supply
LED engine	12x 15W RGBW 4 in 1	In/Link	PowerCON TRUE1 - max link current 10A
Refresh rate	>400 Hz		

Connectivity

- 1 Power input
- 2 Power output
- 3 DMX input
- 4 DMX output
- 5 Colour display



Accessories

Included

- 1x Powercable
- 1x Omega bracket with 2x 1/4 turn quick-lock fastners

Environmental

IP Rating	IP65
Cooling	Electronic heat control No fans