

SCOPE BEAM



SCOPE BEAM is a LED Moving Head Beam. It's energy-saving and environmentally friendly with long lifespan. It produces sharp and full beam with high brightness to meet the needs of different scenarios which makes it more cost-effective to customers. LIGHT SKY has been committed to provide stage lighting products of premium quality to all of our customers. Please feel free to contact us if you're interested in SCOPE BEAM. Prompt reply will be given to you by our expert team.

FEATURES

OSRAM 230W LED module adopted, LED lifespan 50000H to minimize cost of replacing light source;
Relatively small direct heat radiation from light, environmentally friendly;
Light source can be turned on and off instantly, with fast response and excellent light control, energy-saving;
Color temperature 7700K, can reach 46948Lux at 10m. Output sharp and full light with uniform and high brightness, strong visual effect;
Excellent linear dimming: continuous and smooth dimming without flicker and dithering;
With small size, light weight and integrated hook design, convenient to install and disassemble.

OPTICAL

Light source : OSRAM White light LED module
Light source power : 230W
Median Lifetime : 50000 h
Luminous Flux : 6850lm
CCT Light output : 7700K
CRI : 70
Beam range : 2.3° beam angle (0.8° / 1.5° beam angle selection)
Output lens diameter : ϕ 163mm
Light output : 46948 lux @10m

COLOR

Colour Wheel : 14 colours + open, Bi-direction rotation and rainbow effect

GOBO

Static gobo wheel : 11 Gobos + open + 3 animations range ,Bi-direction flow water

EFFECTS

Prism : 8 face prism+16 face double prism,multiple prism combination effect, prism macro effect

Frost effect : adjustable wash effect angle

Focus : Motorized focus

Strobe : Pre-programmed random strobe & pulse effects (0.5-25Hz/second)

Dimmer : 0-100% linear adjustment

CONTROL

Setting & Addressing : Automatic charge battery, IP could be set without electricity; RDM two-way data transmission, Remote reset DMX address

Display : The display panel adopts a 2.0-inch LCD12864 LCD screen

Protocols : DMX-512, RDM

Control channels : 14CH、 16CH、 16PLUS

SOFTWARE

Intelligent control : Display board can record device's using time, show device's temperature, channel data and software version.

Error alarm : Automatic alarm for fixture failure

Software upgrade : Insert USB upgrade software

X/Y ANGLE OF MOTION

Pan movement : 540°

Tilt movement : 250°

Pan / Tilt Resolution : 2.11°/0.98°

Movement control : Standard and Speed

Pan / Tilt : Automatic Pan / Tilt position correction

POWER

Voltage range : AC100-240V 50/60Hz;

Power rating : 350W;

Power in connector : Neutrik power

DMX and RDM data in/out : Locking 3-pin & 5-pin XLR

SIZE & WEIGHT

Product dimension : 380x280x529 (mm)
Packing dimension (carton) : 400x345x570 (mm)
N.W : 18.8Kg/pcs
G.W : 21.2Kg/pcs
Flightcase size(2pcs) : (LxWxH) 865x470x740 (mm)
N.W(2PCS) : 37.6Kg
G.W(2PCS) : 71.8Kg

OTHERS

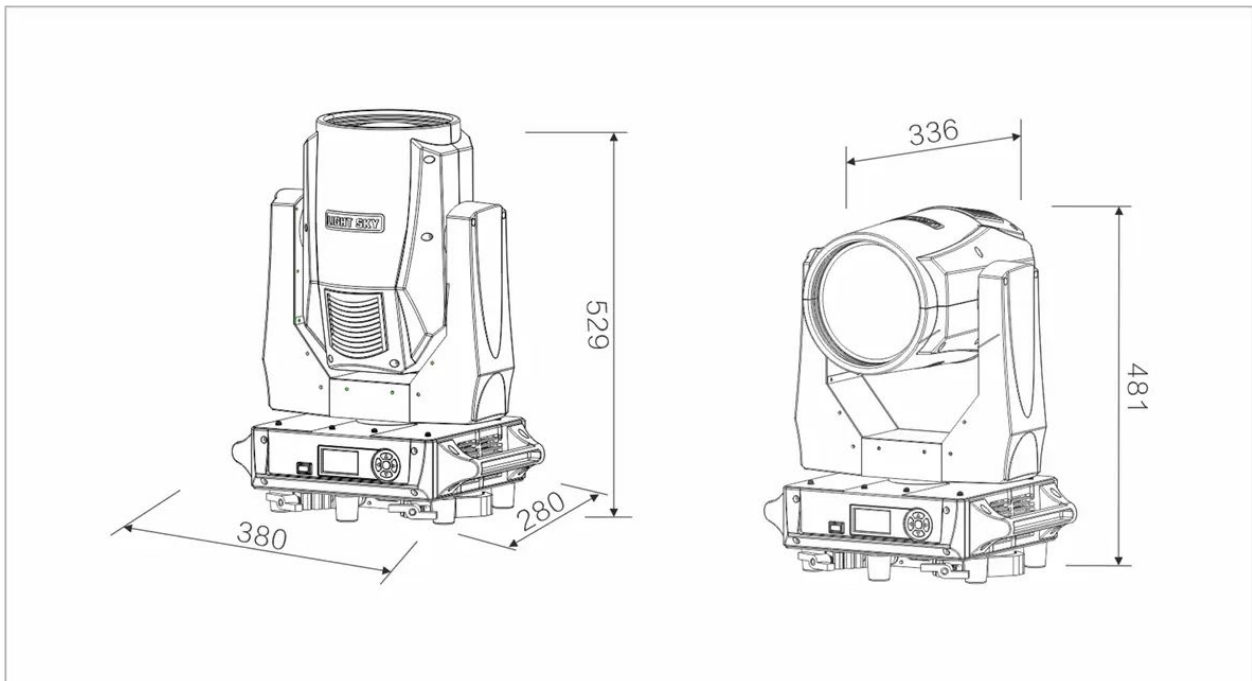
Lamp hook design : Integrated foldable hanger design, more convenient for disassembly and transportation

Structure : Heat-proof plastic+module pressing alloy materials.

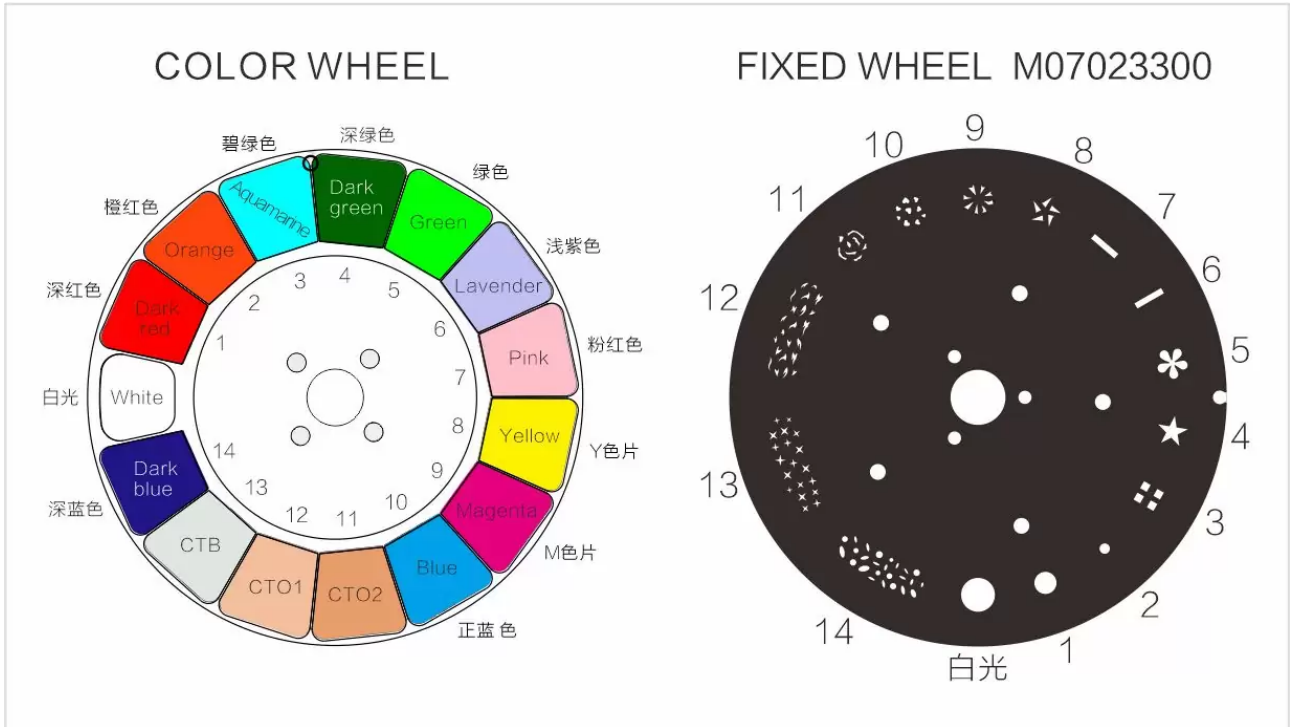
IP rate : IP20 protection

Accessory : clamp, DMX cable ,AC Power cable,Neutrickpower con (white) , safety rope,singal cable, service card,instruction manual

DIMENSIONS



GOBOS AND FIXTURES



PHOTOMETRICS

